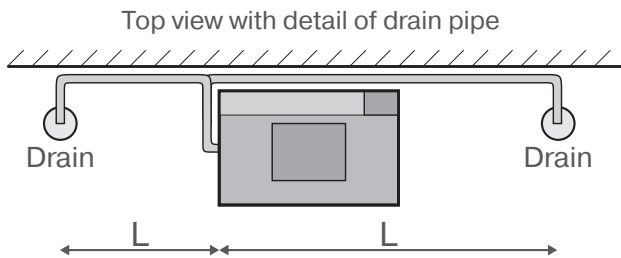
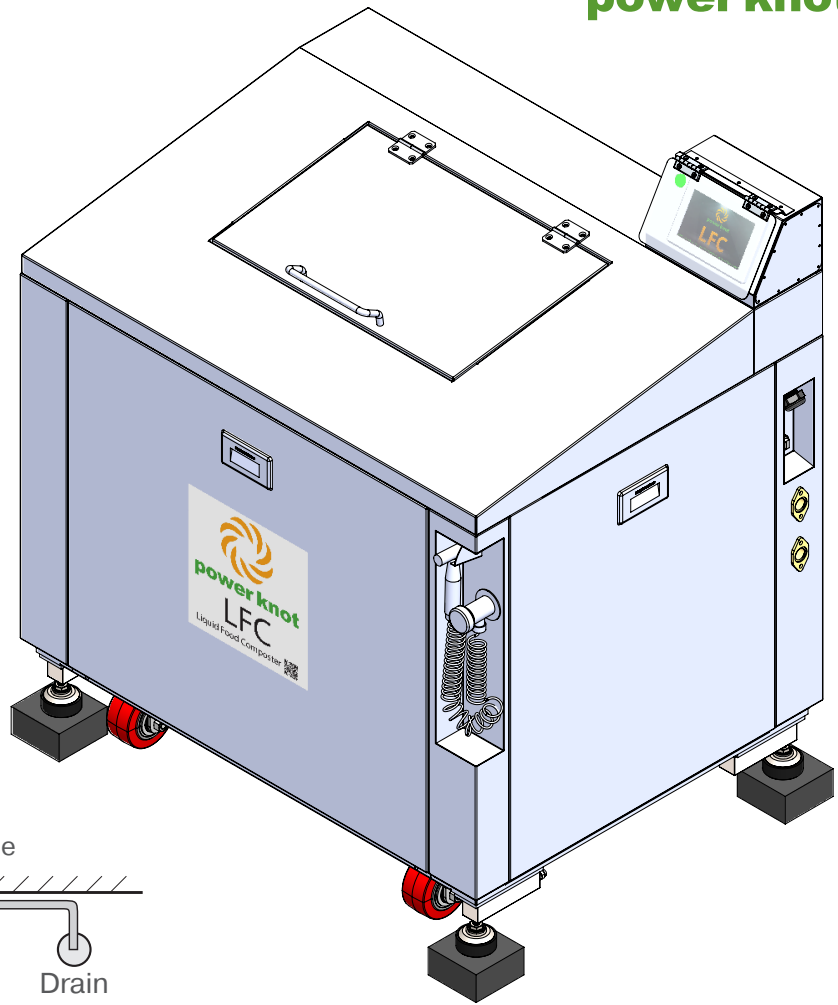
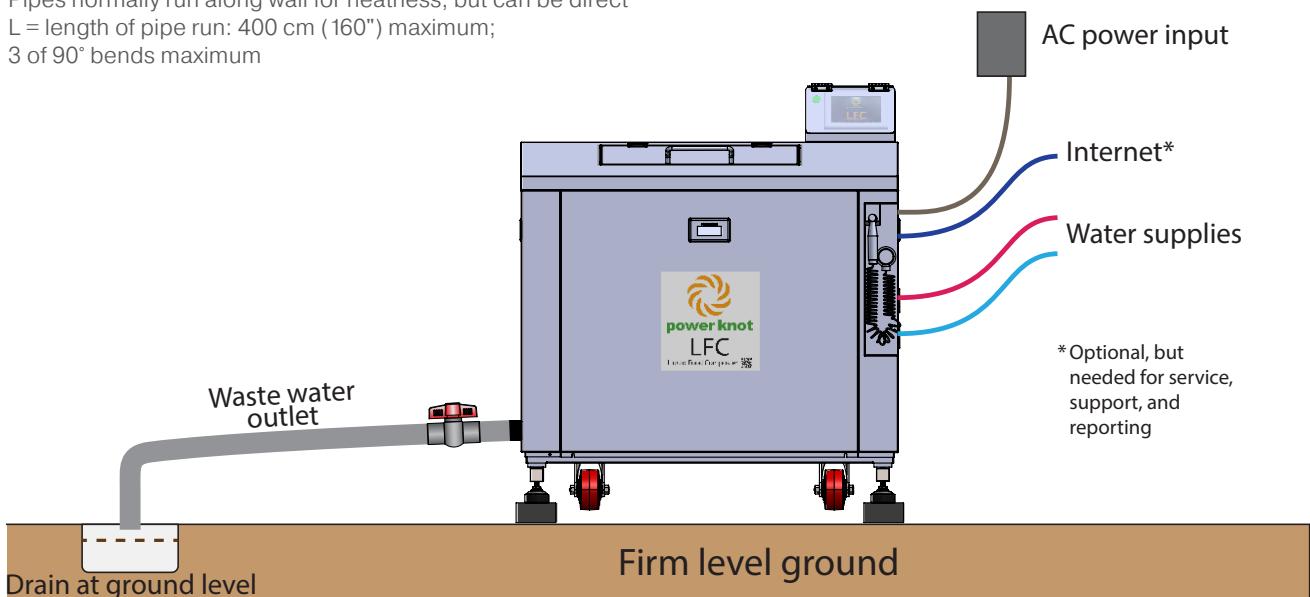


# LFC-70

Biodigester



Only one drain is required on left side or right side of machine  
Pipes normally run along wall for neatness, but can be direct  
L = length of pipe run: 400 cm (160") maximum;  
3 of 90° bends maximum



# LFC-70

## Installation Requirements

### Nominal capacity per day

70 kg (154 lb) of waste food

### Construction

All stainless steel (chassis, side panels, drum, shaft, arms, paddles, and load cells). Chassis is mirror finish (EN 10088-2 specification 2P)

### Operating environment

Indoors or covered patio

Must not be exposed to rain, snow, or sunshine

### Ingress protection

IP54 – splash proof and dust proof

### Ambient operating temperature

4°C~38°C (39°F~100°F)

### Operating altitude

1000 m (3300 ft)

### Floor surface flatness required

±15 mm (0.6")

### Weight when empty

206 kg (454 lb)

### Moving and positioning

Machine is rolled into place with casters

Machine is raised once in position and supported by feet and rubber pads

### Weight when full

311 kg (686 lb) maximum

### Load per pad

104 kg (229 lb) maximum

### Pressure per pad

102 kPa (15 psi), maximum

### Space required around machine

**Left side:** 20 cm (8") minimum, 30 cm (12") preferred. 100 cm (39") is required for servicing

**Right side:** 15 cm (6") minimum, 60 cm (24") preferred. 125 cm (50") is required for servicing

**Back:** 2 cm (1")

**Front:** 60 cm (24") minimum

### Water inlets

**Filters:** use external filters to remove particles and hardness

**Fitting:** DN15 (½") female

Typically use flexible hose pipes to allow machine to move freely. Install valves to disconnect water for servicing and backflow prevention devices if required

**Pressure:** 275 to 550 kPa (40 to 80 psi, 2.8 to 5.6 kg/cm<sup>2</sup>)

**Flow rate:** 20 litre per minute (5 gpm) max. @ 450 kPa (65 psi, 4.5 kg/cm<sup>2</sup>)

**Drum water:** 35°C~50°C (95°F~120°F)

**Washout water:** 15°C~75°C (60°F~165°F)

Use external mixing valves, heaters, pressure reducers, and bladder tanks to meet the above requirements as needed

### Water input per day

210 litre (55 gallon) typical

### Water outlet

Typically use flexible coupling on output to permit machine to move freely

Install stop valve on outlet pipe (used for commissioning)

Slope pipe down by about 1 in 45 (1.3°)

### Drain

**Type:** Must exit to sewer (not storm drain); grease trap is required in most jurisdictions

**Size:** 50 mm (2") minimum

### Total water output per day

280 litre (74 gallon), typical

### Flow rate of waste water out

20 l/min (5.4 gpm), maximum  
0.2 l/min (0.05 gpm), typical average

### AC supply

**120 V, 60 Hz** (100 V to 130 V)

Single phase + PE

Circuit breaker: 15 A

Fitted with NEMA 5-15 plug

or

**230 V, 50 Hz** (220 V to 240 V)

Single phase + PE

Circuit breaker: 15 A

Plug installed by local distributor

### AC power cord

Length of cable on machine: 180 cm (6')

Can wire directly (without a plug and socket). Outlet must be accessible by operator and have a safety disconnect

### Maximum power

700 W

### Energy per day

3.6 kWh typical

### User interface

22 mm 3-color LED

5" touchscreen with 65k colors

### Ethernet

RJ45, 100 baseT

DHCP or fixed IP address

Connect to Internet with direct cable, Wi-Fi client, or GSM modem

Automatically connects to LFC Cloud for remote support, reporting, and monitoring (included in purchase price)

### Powerzyme

(Microorganisms and enzymes)

0.7 litre, included with initial purchase

### Powerchips

(Medium for microorganisms)

70 litre, included with initial purchase

### Operating lifetime

Expected to be 15 to 25 years

### Warranty

3 years on all parts and components (1 year for marine, security, and rentals)

### Safety

Certified to UL430

(waste disposal machines)

CAN/CSA-C22.2 No. 60335-1:11

EN 60335-1:2010+AMD1:2013 (general safety)

CAN/CSA-C22.2 No. 60335-2-16:16

EN 60335-2-16:2002+A1:2008+A2:2011 (waste food disposers)

### EMC

EN 61000-6-3:2007+A1:2011

EN 61000-6-1:2007

EN 61000-3-2:2006+A1:2008+A2:2009

EN 61000-3-3:2013

### RoHS

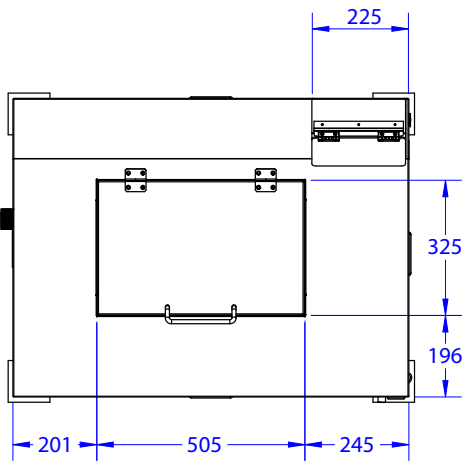
Compliant for EU and China



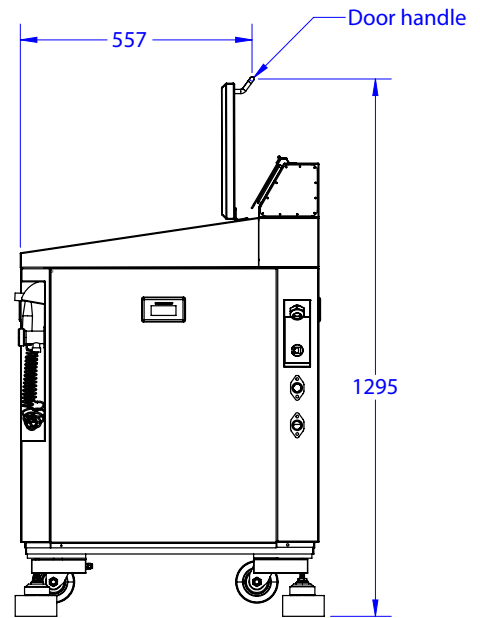
For complete details see User's Manual

# LFC-70

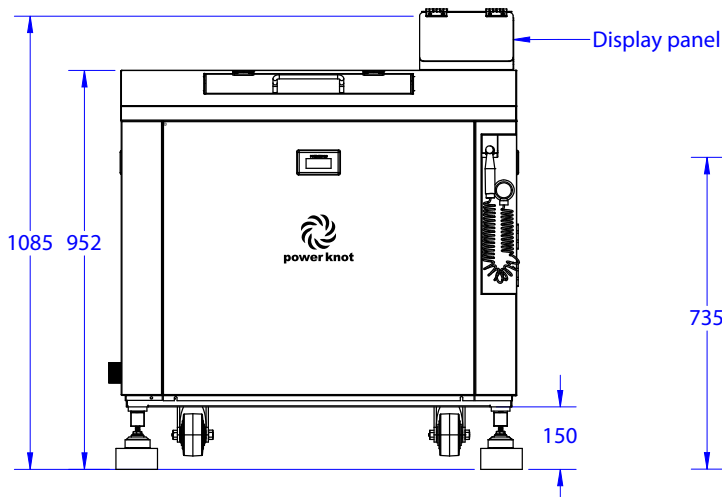
Dimensions in mm ±2 mm



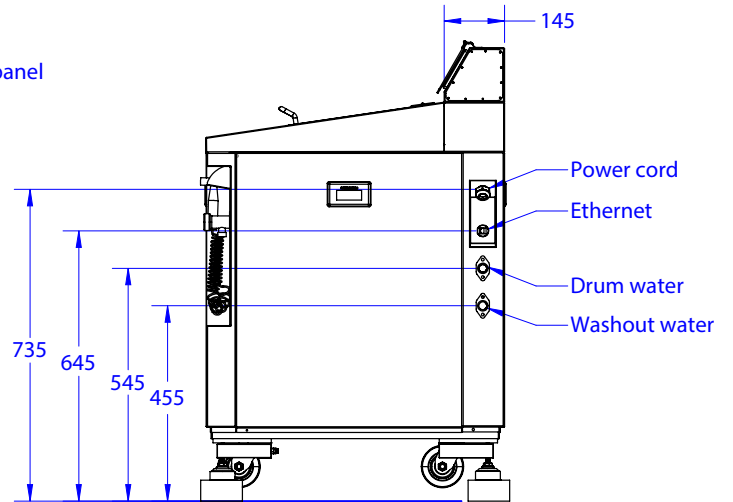
Top



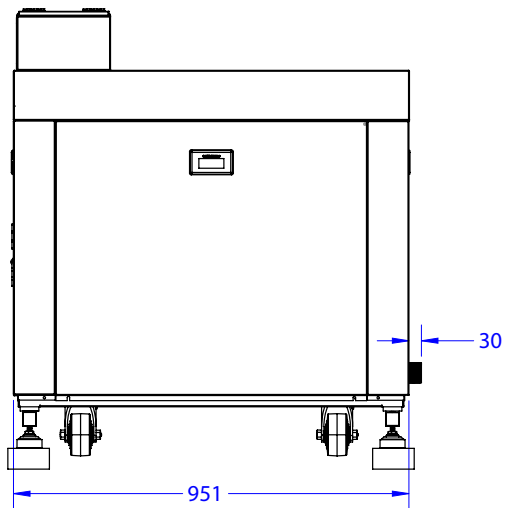
Right with door fully open



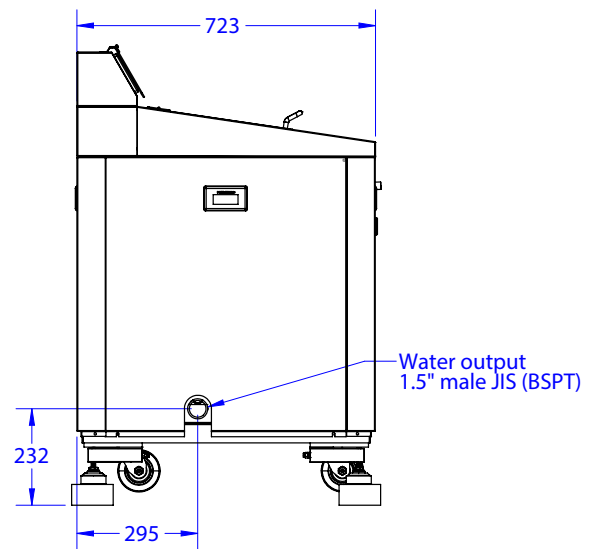
Front



Right



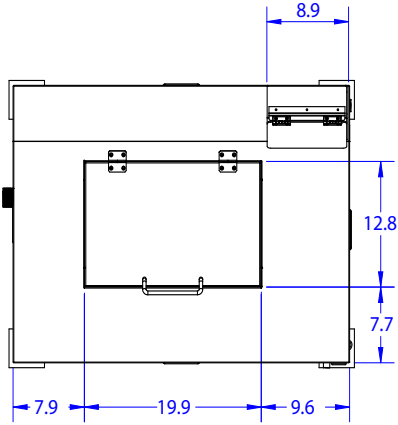
Back



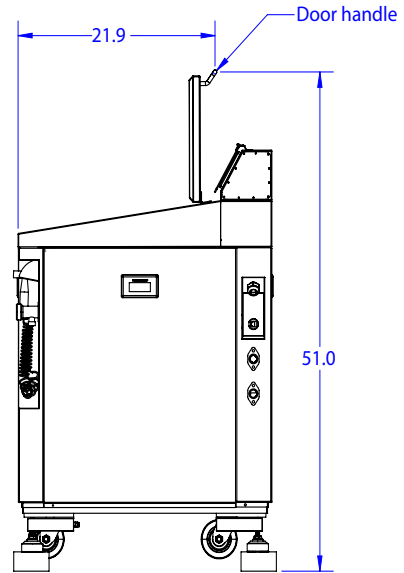
Left

# LFC-70

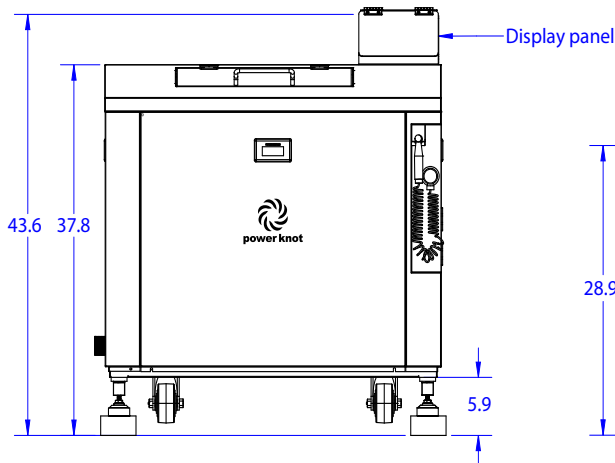
Dimensions in inches ±0.1"  
(derived from mm)



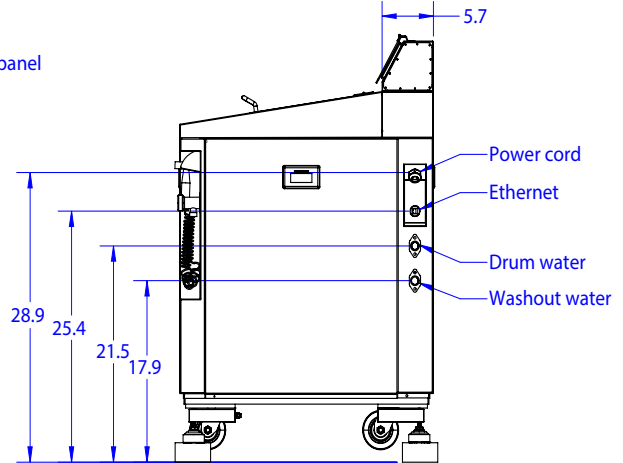
Top



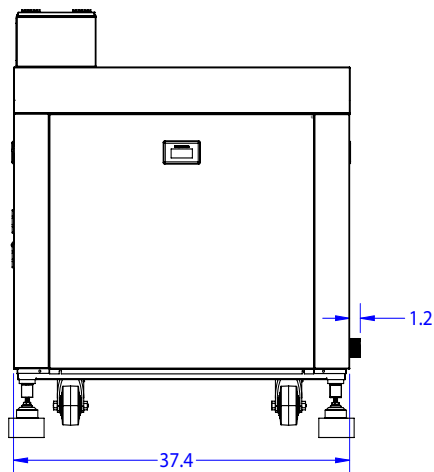
Right with door fully open



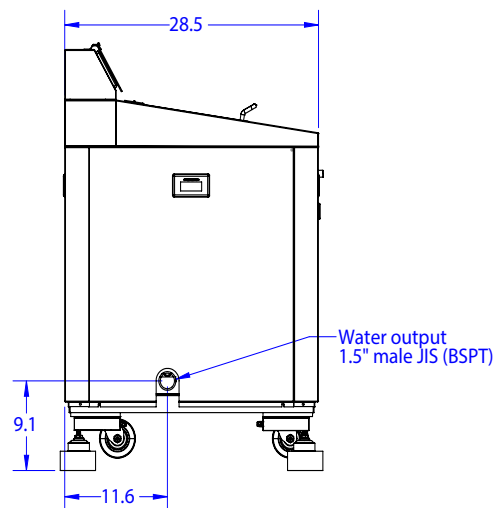
Front



Right



Back



Left



Power Knot LLC | 47613 Warm Springs Blvd | Fremont, CA 94539 USA | +1-408-889-8433 | info@powerknot.com | www.powerknot.com

Power Knot, the Power Knot logo, the Power Knot mark, LFC, and LFC Cloud are trademarks or registered trademarks of Power Knot LLC. All other trademarks used herein are the property of their respective owners. Copyright © 2009–2020 Power Knot LLC; all rights are reserved. Specifications are subject to change at any time without notice. Document number 96-01035-11, 17 November 2020.