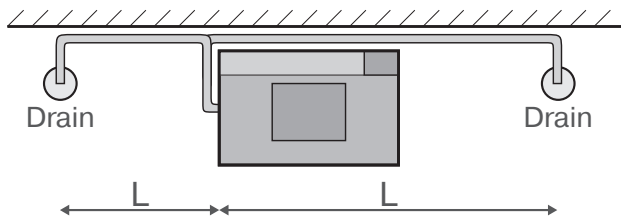


LFC-1000

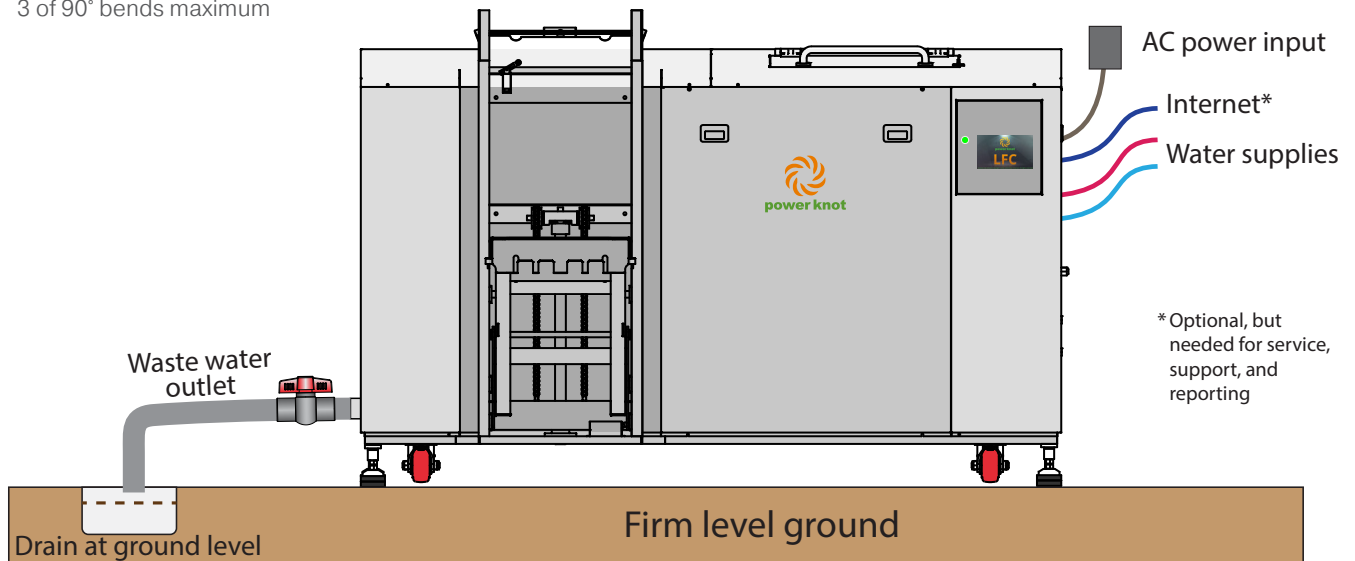
Biodigester



Top view with detail of drain pipe



Only one drain is required on left side or right side of machine
Pipes normally run along wall for neatness, but can be direct
L = length of pipe run: 400 cm (160") maximum;
3 of 90° bends maximum



LFC-1000

Installation Requirements

Nominal capacity per day

1000 kg (2200 lb) of waste food

Construction

All stainless steel (chassis, side panels, drum, shaft, arms, paddles, and load cells). Chassis is mirror finish (EN 10088-2 specification 2P)

Operating environment

Indoors or covered patio

Must not be exposed to rain, snow, or sunshine

Ingress protection

IP54 – splash proof and dust proof

Ambient operating temperature

4°C~38°C (39°F~100°F)

Operating altitude

1000 m (3300 ft)

Floor surface flatness required

±15 mm (0.6")

Weight when empty

1330 kg (2930 lb)

Moving and positioning

Machine is rolled into place with casters

Machine is raised once in position and supported by feet and rubber pads

Weight when full

2850 kg (6280 lb) maximum

Load per pad

950 kg (2100 lb) maximum

Pressure per pad

414 kPa (60 psi), maximum

Bin Lifter

Maximum lift: 70 kg (155 lb)

Different models accept:

ANSI Z245.60 (N. America)
24, 32, and 35 gallon roller bins

EN 840 (rest of world)
80, 120, and 140 litre wheelie bins

Space required around machine

Left side: 40 cm (16") minimum, 60 cm (24") preferred. 100 cm (39") is required for servicing

Right side: 40 cm (16") minimum, 60 cm (24") preferred. 150 cm (60") is required for servicing

Back: 10 cm (4")

Front: 150 cm (60") minimum

Water inlets

Filters: use external filters to remove particles and hardness

Fitting: DN15 (½") female
Typically use flexible hose pipes to allow machine to move freely. Install valves to disconnect water for servicing and backflow prevention devices if required

Pressure: 275 to 550 kPa
(40 to 80 psi, 2.8 to 5.6 kg/cm²)

Flow rate: 20 litre per minute (5 gpm)
max. @ 450 kPa (65 psi, 4.5 kg/cm²)

Hot: 45°C~80°C (113°F~176°F)

Cold: 5°C~45°C (41°F~113°F)

Water input per day

3000 litre (800 gallon) typical

Water outlet

Typically use flexible coupling on output to permit machine to move freely

Install stop valve on outlet pipe (used for commissioning)

Slope pipe down by about 1 in 45 (1.3°)

Drain

Type: Must exit to sewer (not storm drain); grease trap is required in most jurisdictions

Size: 150 mm (6") minimum

Total water output per day

4000 litre (1050 gallon), typical

Flow rate of waste water out

26 l/min (7 gpm), maximum
2.8 l/min (0.7 gpm), typical average

AC supply

208 V, 60 Hz (180 V to 230 V)
3-phase + PE

Circuit breaker: 30 A
Fitted with NEMA L15-30 plug
or

400 V, 50 Hz (380 V to 420 V)
3-phase + neutral + PE

Circuit breaker: 20 A
Plug installed by local distributor

AC power cord

Length of cable: 300 cm (118")

Can wire directly (without a plug and

socket). Outlet must be accessible by operator and have a safety disconnect

Maximum power

4400 W

Energy per day

25.3 kWh typical

User interface

22 mm 3-color LED

7" touchscreen with 65k colors

Ethernet

RJ45, 100 baseT
DHCP or fixed IP address

Connect to Internet with direct cable, Wi-Fi client, or GSM modem

Automatically connects to LFC Cloud for remote support, reporting, and monitoring (included in purchase price)

Powerzyme

(Microorganisms and enzymes)

10 litre, included with initial purchase

Powerchips

(Medium for microorganisms)

1000 litre, included with initial purchase

Operating lifetime

Expected to be 15 to 25 years

Warranty

3 years on all parts and components
(1 year for marine, security, and rentals)

Safety

Certified to UL430
(waste disposal machines)

CAN/CSA-C22.2 No. 60335-1:11

EN 60335-1:2010+AMD1:2013
(general safety)

CAN/CSA-C22.2 No. 60335-2-16:16

EN 60335-2-16:2002+A1:2008+A2:2011
(waste food disposers)

EMC

EN 61000-6-3:2007+A1:2011

EN 61000-6-1:2007

EN 61000-3-2:2006+A1:2008+A2:2009

EN 61000-3-3:2013

RoHS

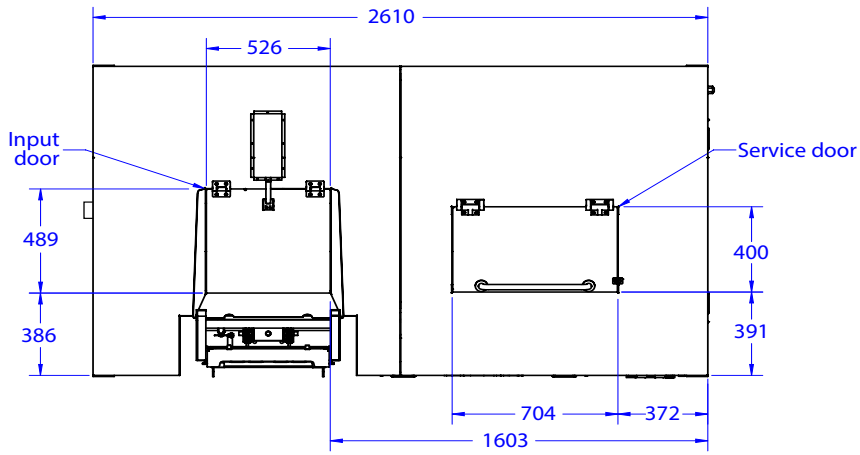
Compliant for EU and China



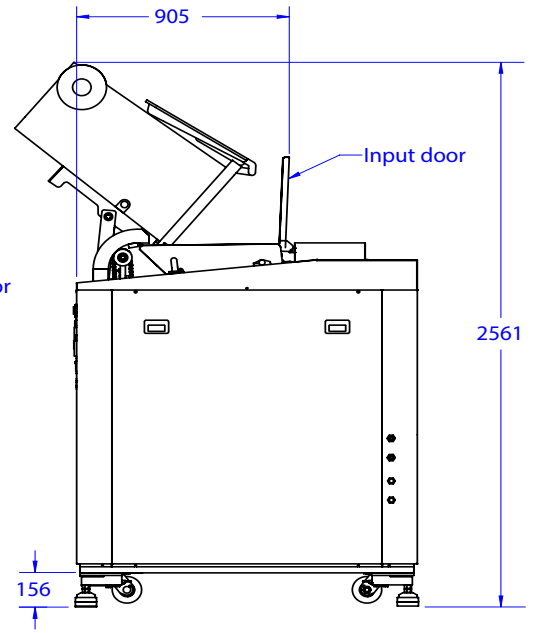
For complete details see User's Manual

LFC-1000

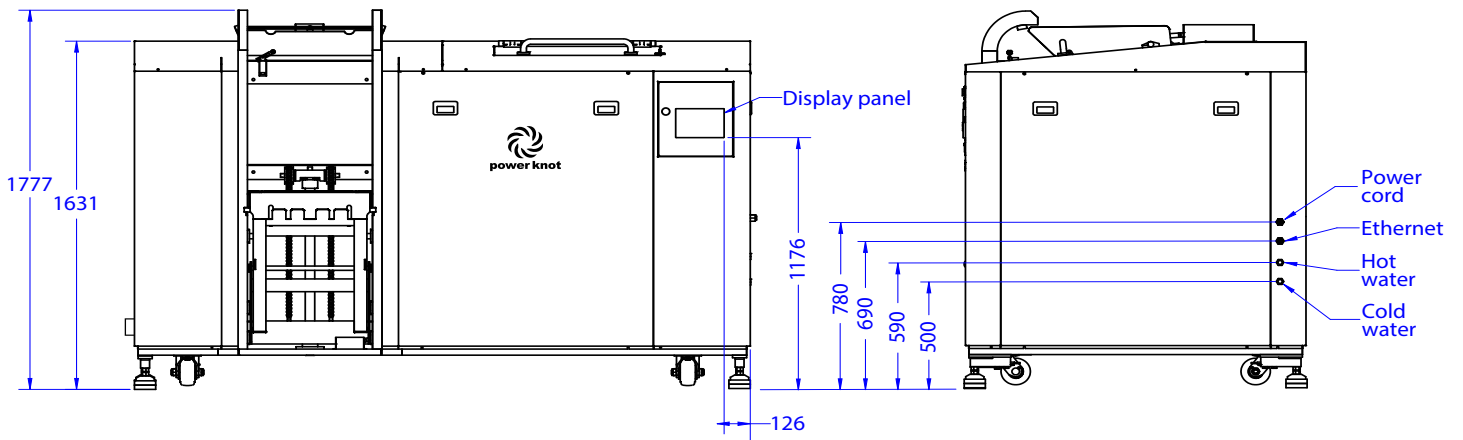
Dimensions in mm ±2 mm



Top

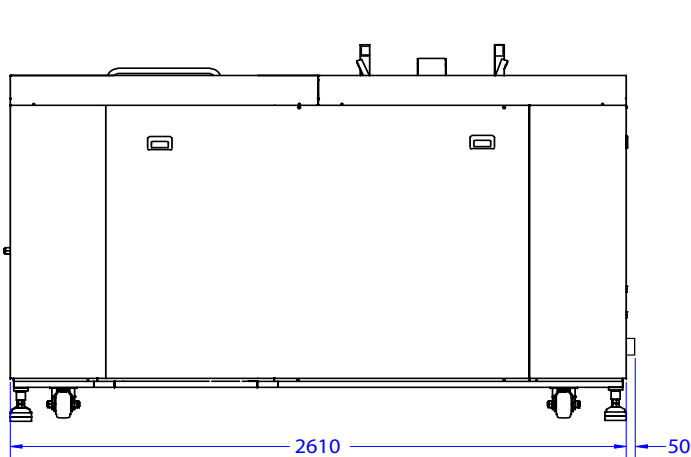


Right with bin fully lifted

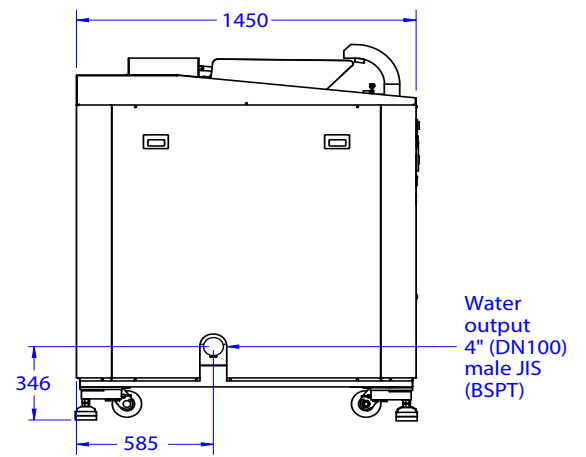


Front

Right



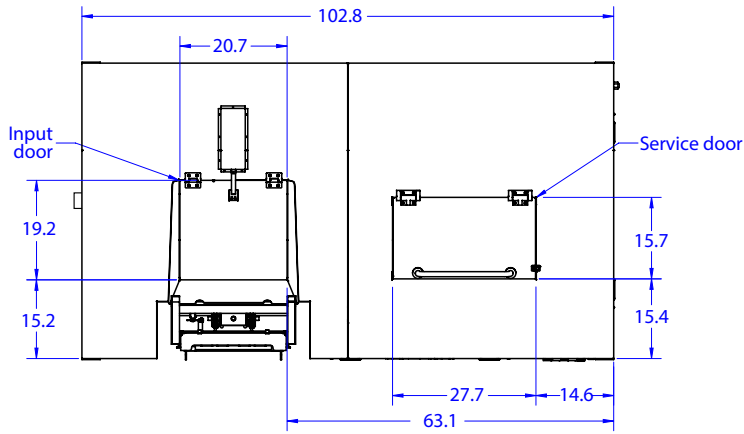
Back



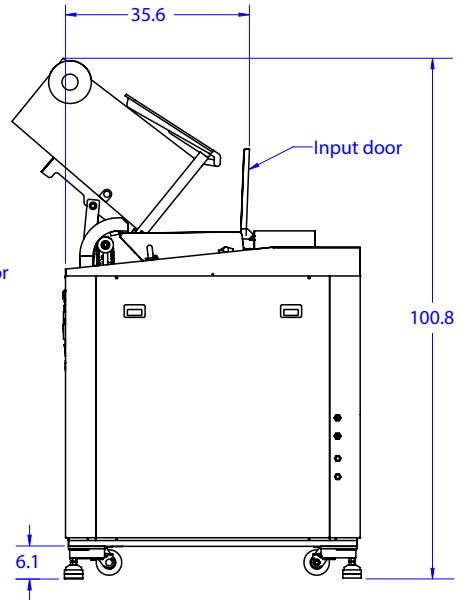
Left

LFC-1000

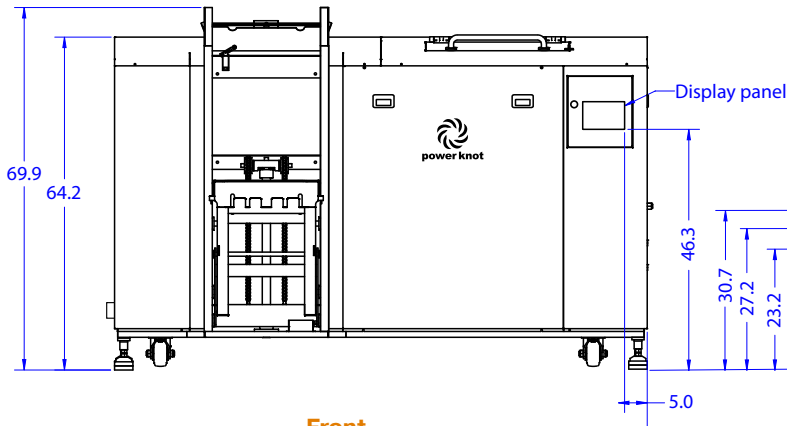
Dimensions in inches ±0.1"
(derived from mm)



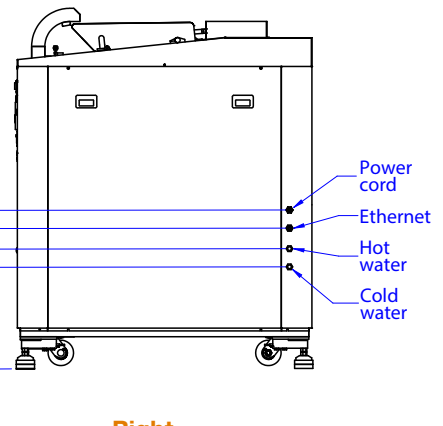
Top



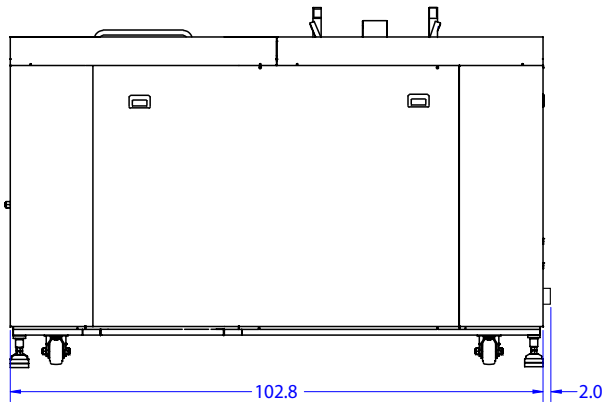
Right with bin fully lifted



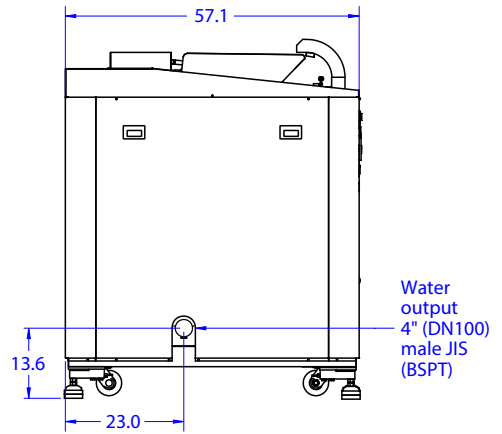
Front



Right



Back



Left



Power Knot LLC | 47613 Warm Springs Blvd | Fremont, Ca 94539 USA | +1-408-889-8433 | info@powerknot.com | www.powerknot.com

Power Knot, the Power Knot logo, the Power Knot mark, LFC, and LFC Cloud are trademarks or registered trademarks of Power Knot LLC. All other trademarks used herein are the property of their respective owners. Copyright © 2009–2020 Power Knot LLC; all rights are reserved. Specifications are subject to change at any time without notice. Document number 96-01040-10, 30 June 2020.