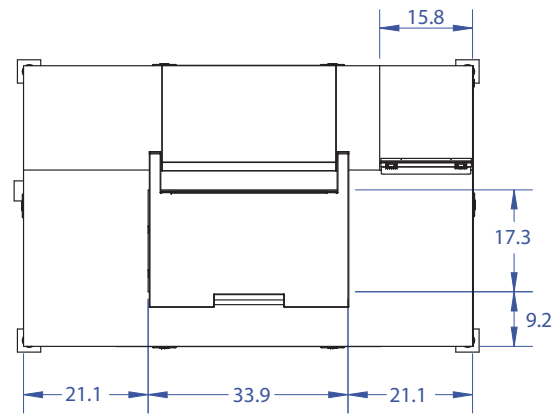
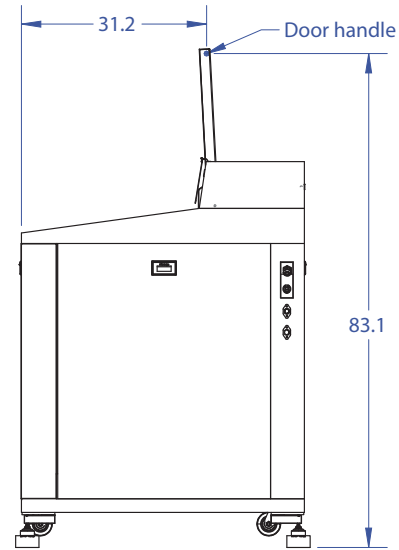


LFC-500

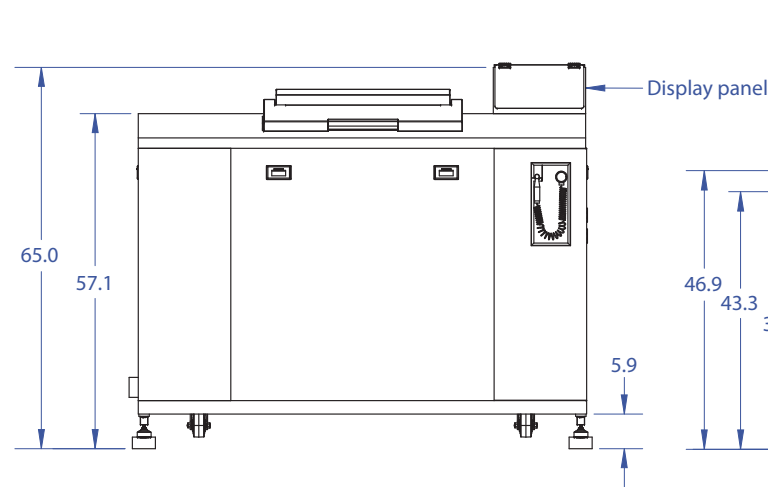
Dimensions in inches ±0.1"
(derived from mm)



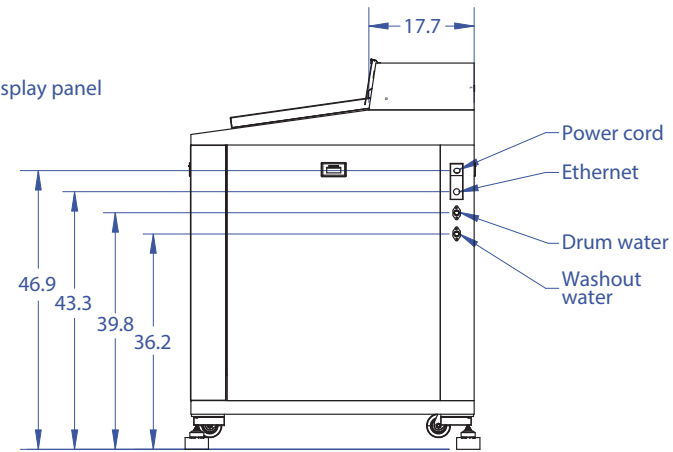
Top



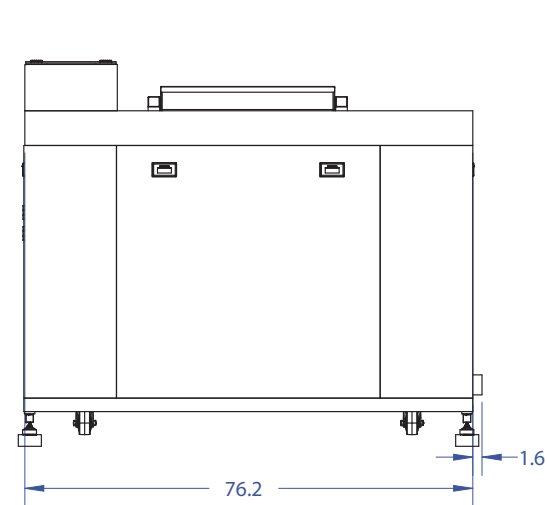
Right with door fully open



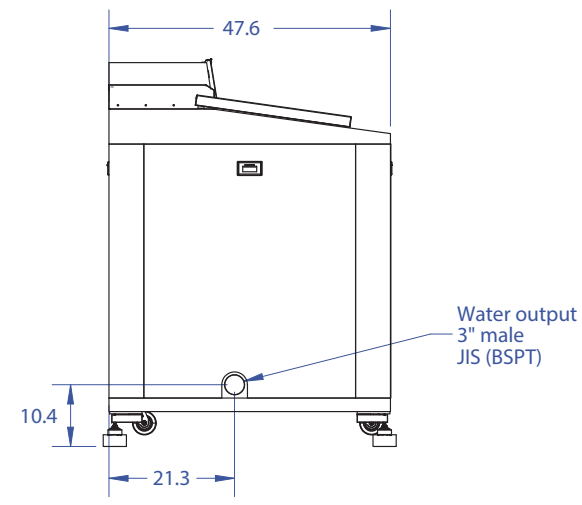
Front



Right



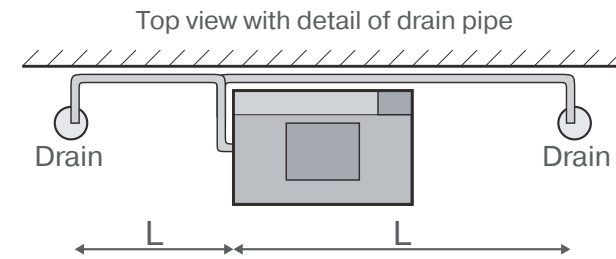
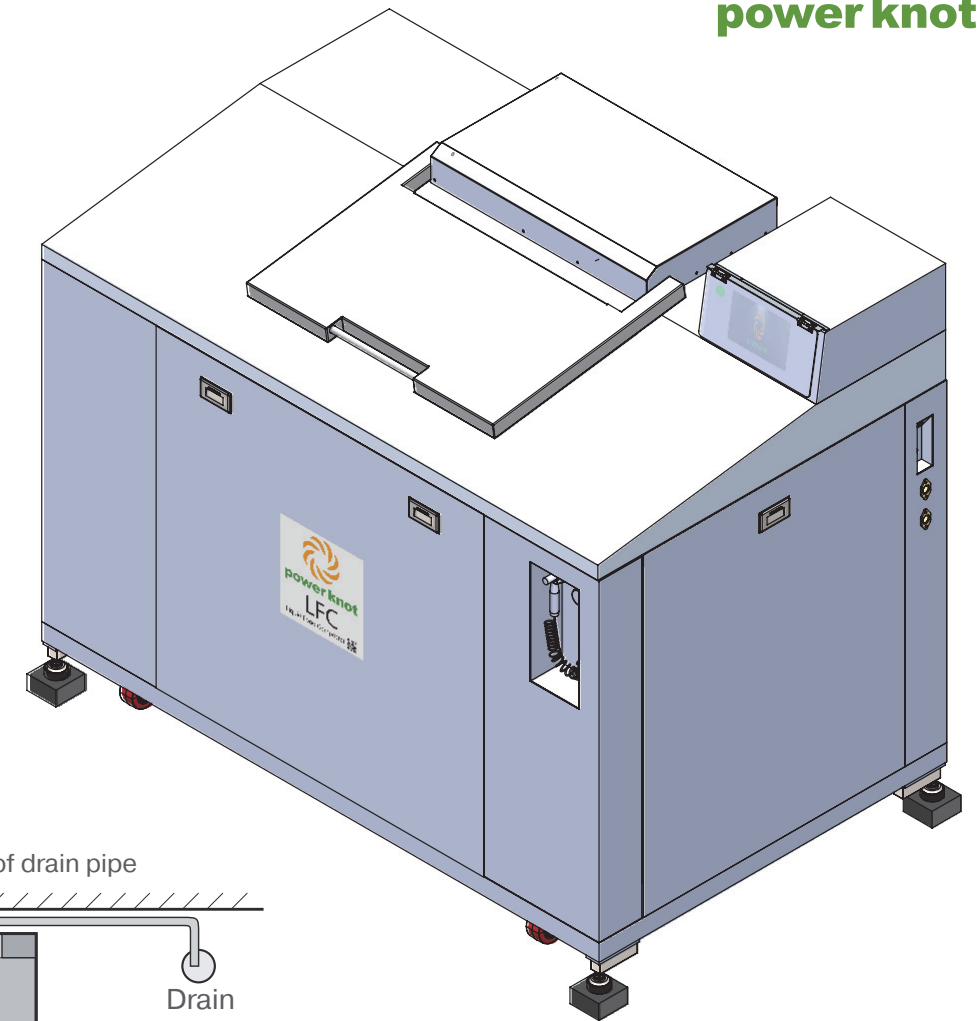
Back



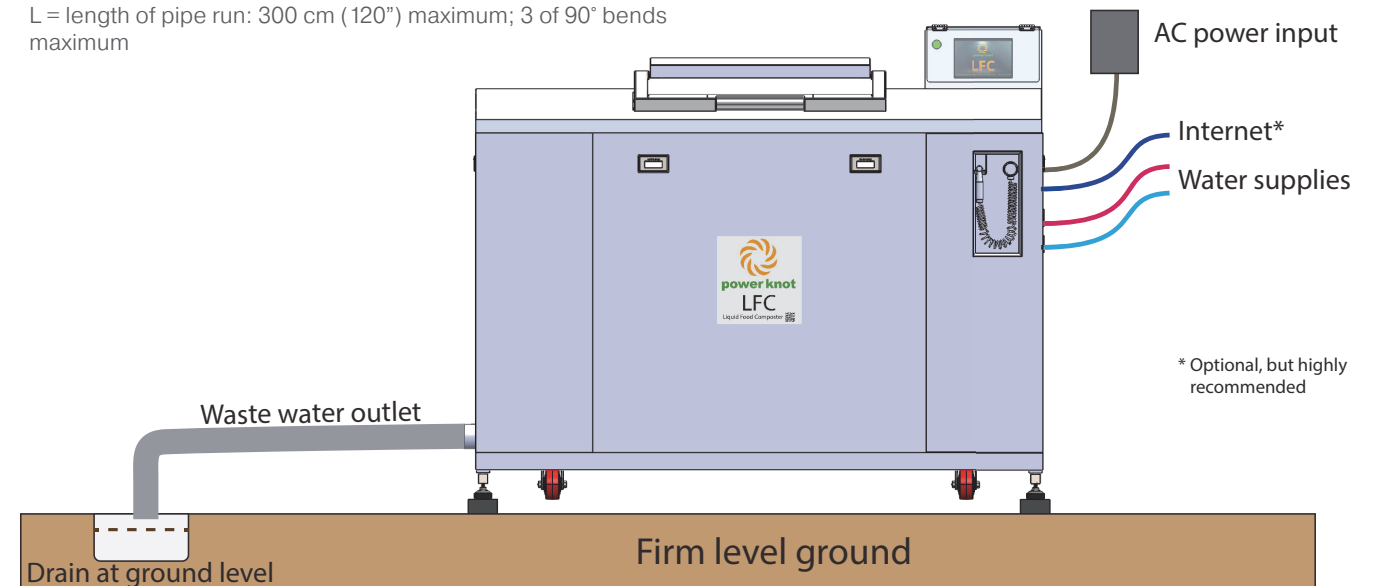
Left

LFC-500

Biodigester



Only one drain is required on left side or right side of machine
Pipes normally run along wall for neatness, but can be direct
L = length of pipe run: 300 cm (120") maximum; 3 of 90° bends maximum



* Optional, but highly recommended

LFC-500

Installation Requirements

Nominal capacity per day

500 kg (1100 lb) of waste food

Construction

All stainless steel (chassis, side panels, drum, shaft, arms, paddles, and load cells). Chassis is mirror finish (EN 10088-2 specification 2P)

Operating environment

Indoors or covered patio

Must not be exposed to rain, snow, or sunshine

Ingress protection

IP54 – splash proof and dust proof

Ambient operating temperature

4°C~35°C (39°F~95°F)

Operating altitude

1000 m (3300 ft)

Floor surface flatness required

±15 mm (0.6")

Weight when empty

800 kg (1760 lb)

Moving and positioning

Machine is rolled into place with casters

Machine is raised once in position and supported by feet and rubber pads

Weight when full

1550 kg (3415 lb) maximum

Load per pad

515 kg (1135 lb) maximum

Pressure per pad

506 kPa (73 psi), maximum

Space required around machine

Left side: 15 cm (6") minimum, 50 cm (20") ideal. Allow space for plumbing waste outlet

Right side: 15 cm (6") minimum, 60 cm (24") ideal. Space is required for maintenance. Allow space for inlet water, Ethernet, and ac power

Back: 2 cm (1")

Front: 60 cm (24") minimum

Water inlets

Filter: use external filter to remove particles and hardness

Fitting: DN15 (½") female

Typically use flexible hose pipes to allow machine to move freely

Pressure: 275 to 550 kPa (40 to 80 psi, 2.8 to 5.6 kg/cm²)

Flow rate: 20 litre per minute (5 gpm) max. @ 450 kPa (65 psi, 4.5 kg/cm²)

Drum water: 35°C~50°C (95°F~120°F)

Washout water: 15°C~75°C (60°F~165°F)

Use filters, back flow prevention valves, mixing valves, heaters, pressure reducers, and bladder tanks to meet the above requirement as needed
Install valves to disconnect water supplies near machine for servicing

Water input per day

1500 litre (400 gallon) typical

Water outlet

Typically use flexible coupling on output to permit machine to move freely

Install stop valve on outlet pipe (used for commissioning)

Slope down by about 1 in 45 (1.3°)

Drain

Type: Must exit to sewer (not storm drain); grease trap is required in most jurisdictions

Size: 75 mm (3") minimum

Total water output per day

2000 litre (528 gallon), typical

Flow rate of waste water out

49 l/min (13 gpm), maximum
1.4 l/min (0.4 gpm), typical average

AC supply

208 V, 60 Hz (180 V to 220 V)

3-phase + PE
Circuit breaker: 15 A
Fitted with NEMA L15-20 plug
or

400 V, 50 Hz (380 V to 420 V)

3-phase + neutral + PE
Circuit breaker: 15 A
Plug installed by local distributor

AC power cord

Length of cable on machine: 180 cm (6')

Can wire directly (without a plug and socket). Outlet must be accessible by operator and have a safety disconnect

Maximum power

2400 W

Energy per day

14.5 kWh typical

User interface

22 mm 3-color LED

7" touchscreen with 65k colors

Ethernet

RJ45, 100 baseT
DHCP or fixed IP address

Connect to Internet with direct cable, Wi-Fi client, or GSM modem

Automatically connects to LFC Cloud for remote support, reporting, and monitoring (included in purchase price)

Powerzyme

(Microorganisms and enzymes)
5 litre, included with initial purchase

Powerchips

(Medium for microorganisms)
500 litre, included with initial purchase

Operating lifetime

Expected to be 15 to 25 years

Warranty

3 years on all parts and components

Safety

Certified to UL430
(waste disposal machines)

CAN/CSA-C22.2 No. 60335-1:11

EN 60335-1:2010+AMD1:2013
(general safety)

CAN/CSA-C22.2 No. 60335-2-16:16

EN 60335-2-16:2002+A1:2008+A2:2011
(waste food disposers)

EMC

EN 61000-6-3:2007+A1:2011

EN 61000-6-1:2007

EN 61000-3-2:2006+A1:2008+A2:2009

EN 61000-3-3:2013

RoHS

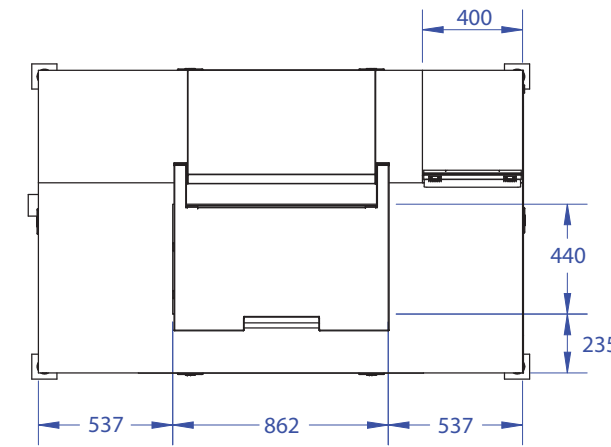
Compliant for EU and China



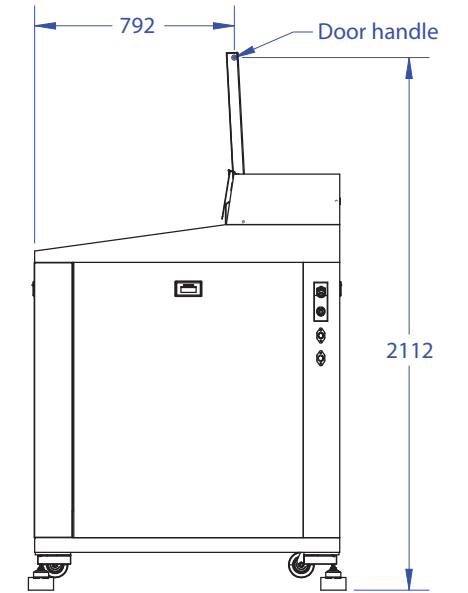
For complete details see User's Manual

LFC-500

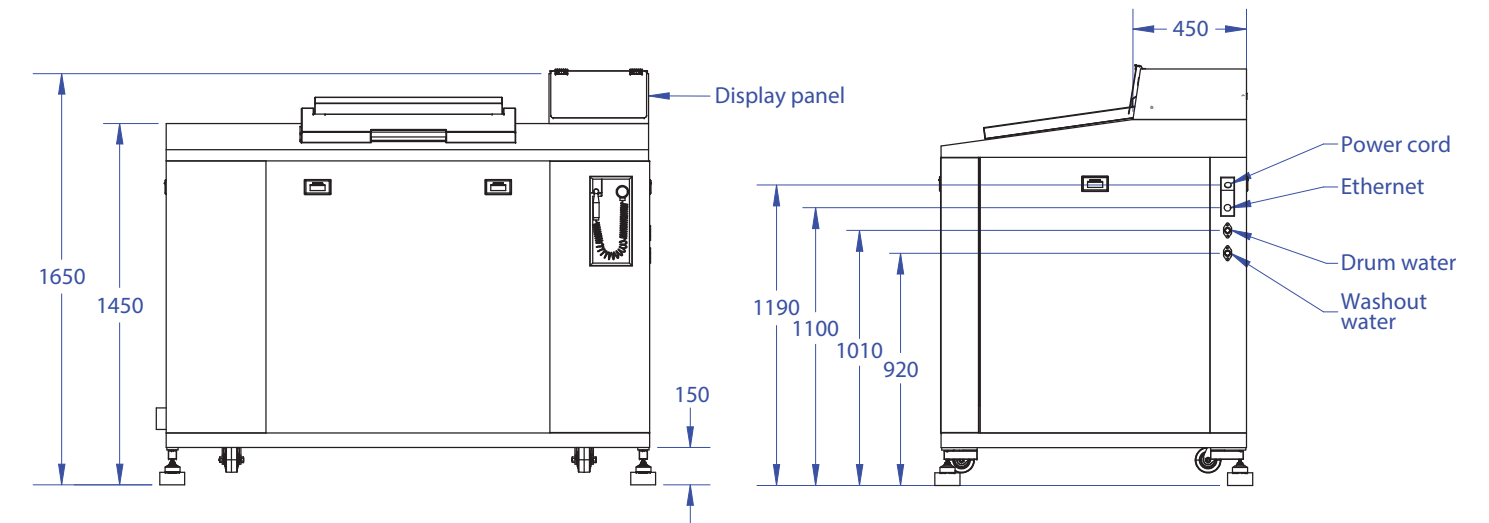
Dimensions in mm ±2 mm



Top

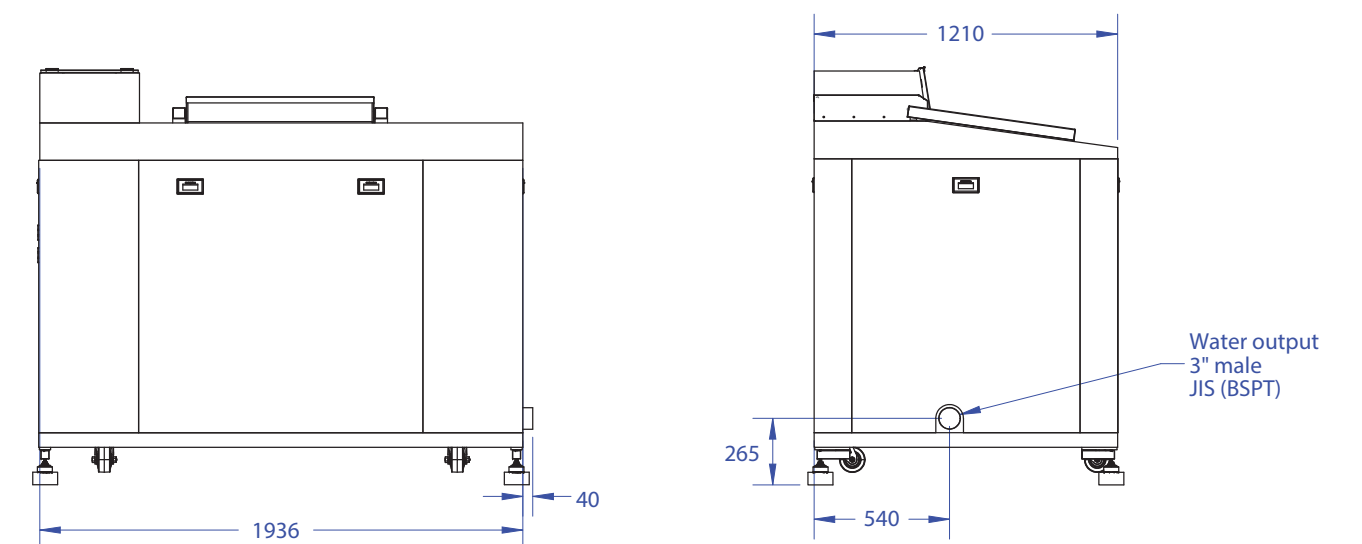


Right with door fully open



Front

Right



Back

Left