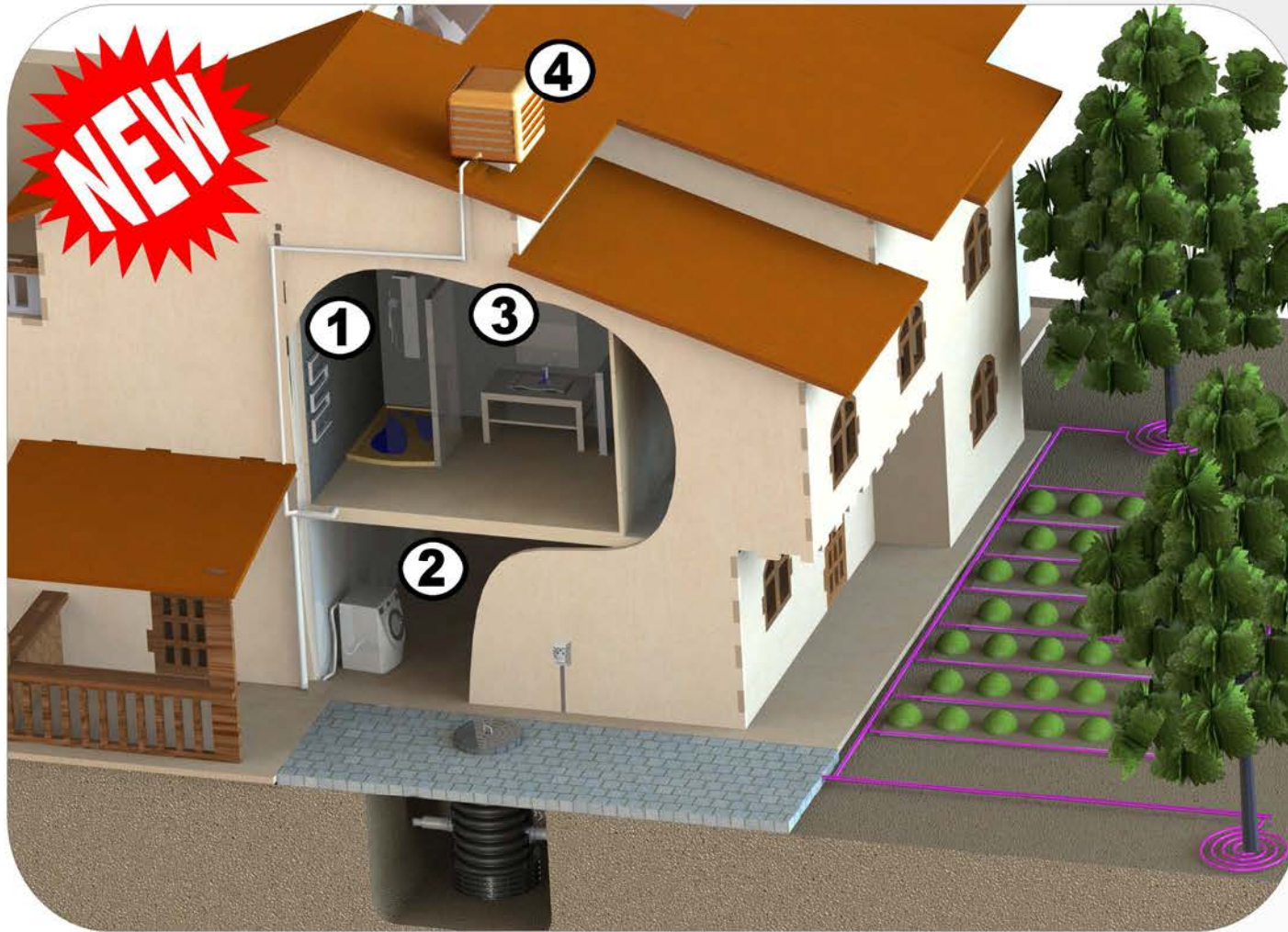


GREY FLOW PRO DOMESTIC SELF-CLEAN GREY WATER DIVERTER



Features & Advantages:

- Easy install Plug & Play unit
- Automatic backflush filtration system
- Auto de-sludge mechanism
- Extra low maintenance (2 years filter clean)
- State of the art robust design
- For above & below ground installations
- 100mm inlet and outlet

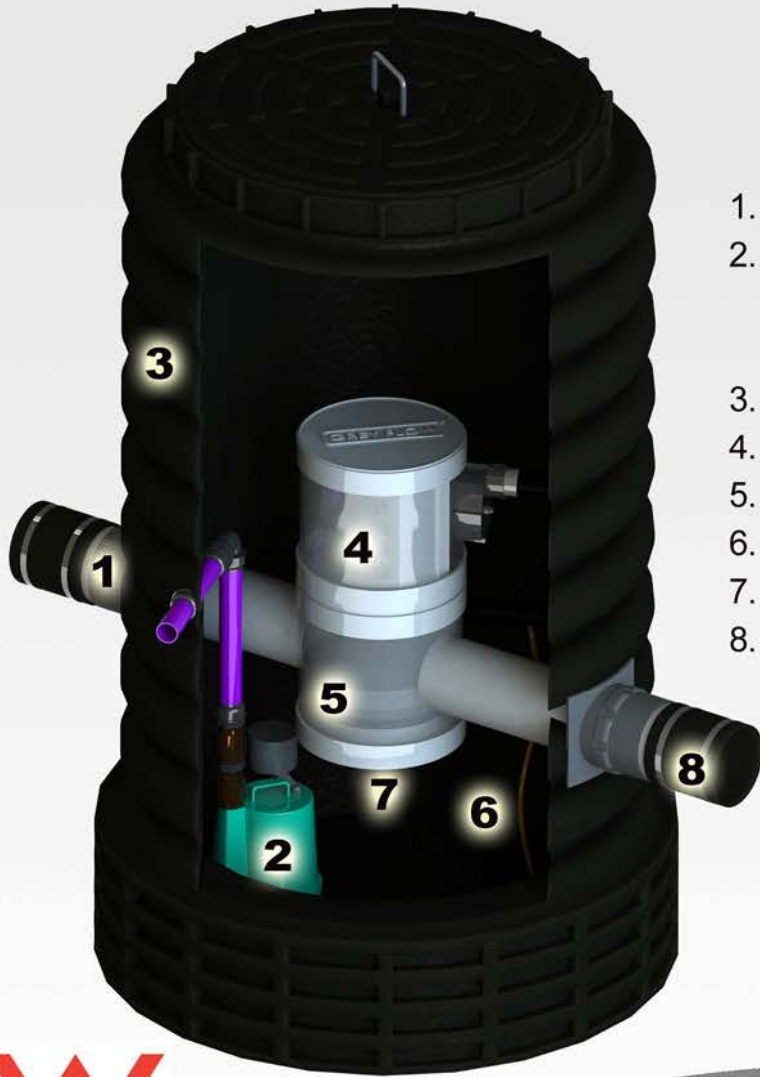
Divert Grey Water from:

- 1. Showers**
- 2. Washing Machine**
- 3. Basins**
- 4. Air Conditioner**

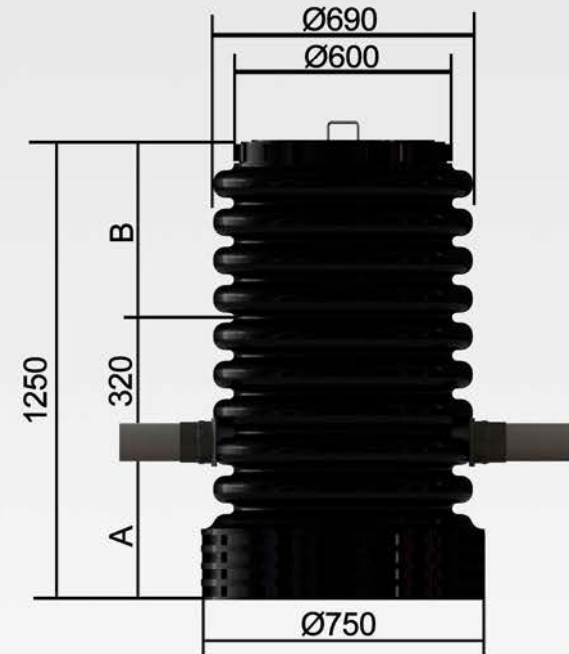
“Save 200,000+ litres per year”

THE GREY FLOW PRO FULLY AUTOMATED GREY WATER SYSTEM

**For above & below ground installation
in new homes and retrofits!**



1. 100mm inlet & overflow (fully reversible)
2. Submersible pump options:
 - 100watt, 70 lpm & 6m head
 - 400watt, 180 lpm & 21m head
3. Corrugated PE pit (with adjustable height)
4. Controller & self cleaning mechanism
5. Filter chamber
6. Auto de-sludge pipe
7. Shut off plug
8. 100mm rubber joiner



GFPRO Models

Item Code	Buffer (Litre)	A(mm)
GF-PRO-90	90	300
GF-PRO-120	120	400

Note: B is fully adjustable



Advance Waste Water Systems Pty Ltd
P.O. Box 561, Floreat, WA 6014
tel.: 04 0545 9533
fax: 08 9309 2304
smilani@greyflow.net.au
www.greyflow.net.au

www.greyflow.net.au